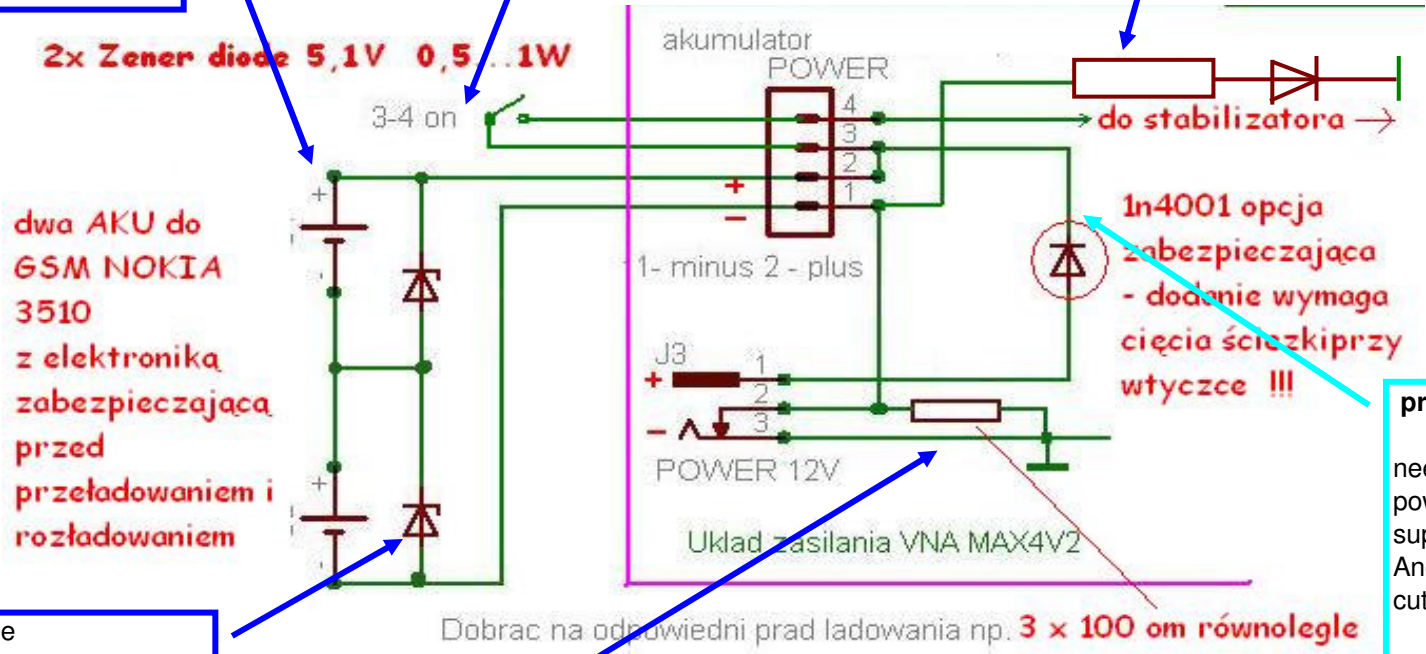


GSM Accu from nokia 3310 with internal electronics protecting from overcharge and discharge

Power switch

LED + resistor 50 ohm  
- as charge indications  
Diode stop lit when ACCU is fully charged



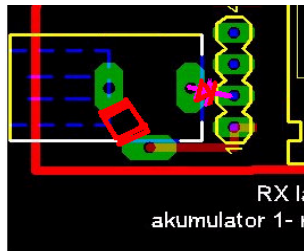
dwa AKU do GSM NOKIA 3510 z elektroniką zabezpieczającą przed przeladowaniem i rozladowaniem

In4001 opcja zabezpieczająca - dodanie wymaga cięcia ścieżki przy wtyczce !!!

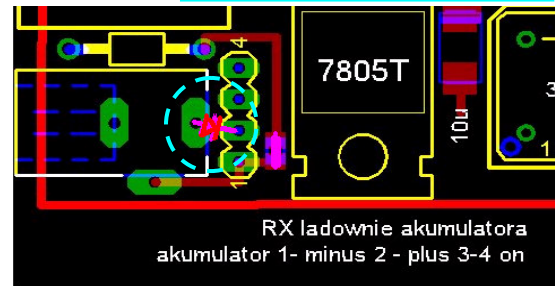
protective diode  
need cut on PCB between power "hot" connector and supply connector 2-3  
And put diode in stead of cuttet track  
better use shotky diode

ZENER diode  
balancer functions

33 ohm 2W



3 x 100 ohm SMD 1206 as sandwich soldered directy under power socket



standard wire resistor  
protective diode

### VNA MAX4 CHARGING - little tuned

add protective diode in series to power supply - need little change cut small wire between power socket and power connector and solder diode instead of removed wire